

4

3

2

1

B

B

A

A

УКАЗАТЕЛЬ ДОКУМЕНТОВ

СПИСОК ЧЕРТЕЖЕЙ/ВЕРСИЯ	123316-0	B
БЛОК-СХЕМА	123316-1	B
ПОЛЕВОЙ БЛОК	123316-2	B
ШКАФ ПОЛЕВОГО БЛОКА	123316-3	B
ГАЗОВАЯ СХЕМА	123316-4	B
СХЕМА ВНЕШНИХ ПОДКЛЮЧЕНИЙ	123316-5	B
СХЕМА ВНУТРЕННИХ ПОДКЛЮЧЕНИЙ	123316-6	B
КОНТРОЛЛЕР	420302000	E

B	FINAL RELEASE PER "AS BUILT"	09.FEB.2006	MEH
A	ORIGINAL ISSUE	05.JAN.2006	MEH
REV	DESCRIPTION	DATE	DRAWN

WARNING: ANY DEVIATION FROM THE RECOMMENDED INSTALLATION PRACTICES SHOWN ON THIS SALES ORDER MUST BE APPROVED IN WRITING BY AMETEK R&A DIVISION, SUCH DEVIATION MAY VOID SYSTEMS WARRANTY.

DRAWN: MEH 04.JAN.2006
 APPROVED: MJM 01/04/05
 APPROVED: JWR 01/05/06



P.O.: D2549-YA-23-NOS/05
 J.O.: 123316
 S/N: 500A173
 TAG: N/A

ARTVIK/ 5000 ATEX
 УКАЗАТЕЛЬ ДОКУМЕНТОВ

SCALE: NONE	SHEET: 1 OF 1	SIZE A3	DRAWING NO. 123316-0	REV. B
<input type="checkbox"/> FOR INFORMATION	PRODUCT LINE MOISTURE	FILE NAME: 123316-0.DWG		
<input type="checkbox"/> FOR APPROVAL				
<input checked="" type="checkbox"/> FINAL "AS-BUILT"				

4

3

2

1

4

3

2

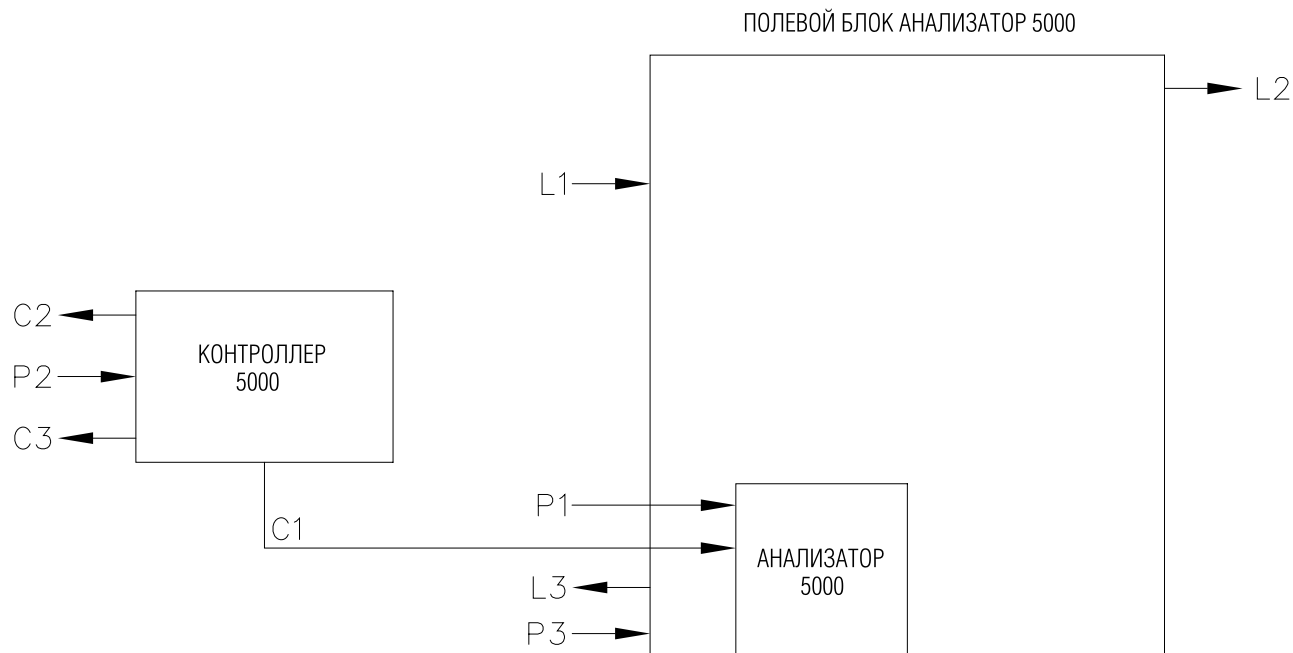
1

B

B

A

A



ОТВЕТСТВЕННОСТЬ ЗАКАЗЧИКА

ЛИНИЯ ОТБОРА/ВОЗВРАТА

L1 ВХОД ПРОБЫ, 13.8MPa (2000psig) MAX
L2 ВЫХОД ПРОБЫ, 70kPa (10psig) MAX
L3 ДРЕНАЖ, НА АТМОСФЕРУ

КАБЕЛЬ

C1 СОЕДИНИТЕЛЬНЫЙ КАБЕЛЬ
C2 АНАЛОГОВЫЙ ВЫХОД (4-20 mA)
C3 РЕЛЕЙНЫЕ ВЫХОДЫ (СИГНАЛИЗАЦИЯ)

ЭЛЕКТРОПИТАНИЕ


P1 ЭЛЕКТРОПИТАНИЕ АНАЛИЗАТОРА, 220 В 50/60 Гц, 175 Вт
P2 ЭЛЕКТРОПИТАНИЕ КОНТРОЛЛЕРА, 220 В 50/60 Гц, 50 Вт
P1 ЭЛЕКТРОПИТАНИЕ ШКАФА, 220 В 50/60 Гц, 500 Вт

КОНФИГУРАЦИЯ СИСТЕМЫ

ГЕНЕРАТОР ВЛАЖНОСТИ: 20 PPMV
РЕДУКТОР ДАВЛЕНИЯ
СЕПАРАТОР ГАЗ/ЖИДКОСТЬ
ЛОВУШКА

МАРКИРОВКА

FIELD UNIT: ATEX EEx d IIC T3

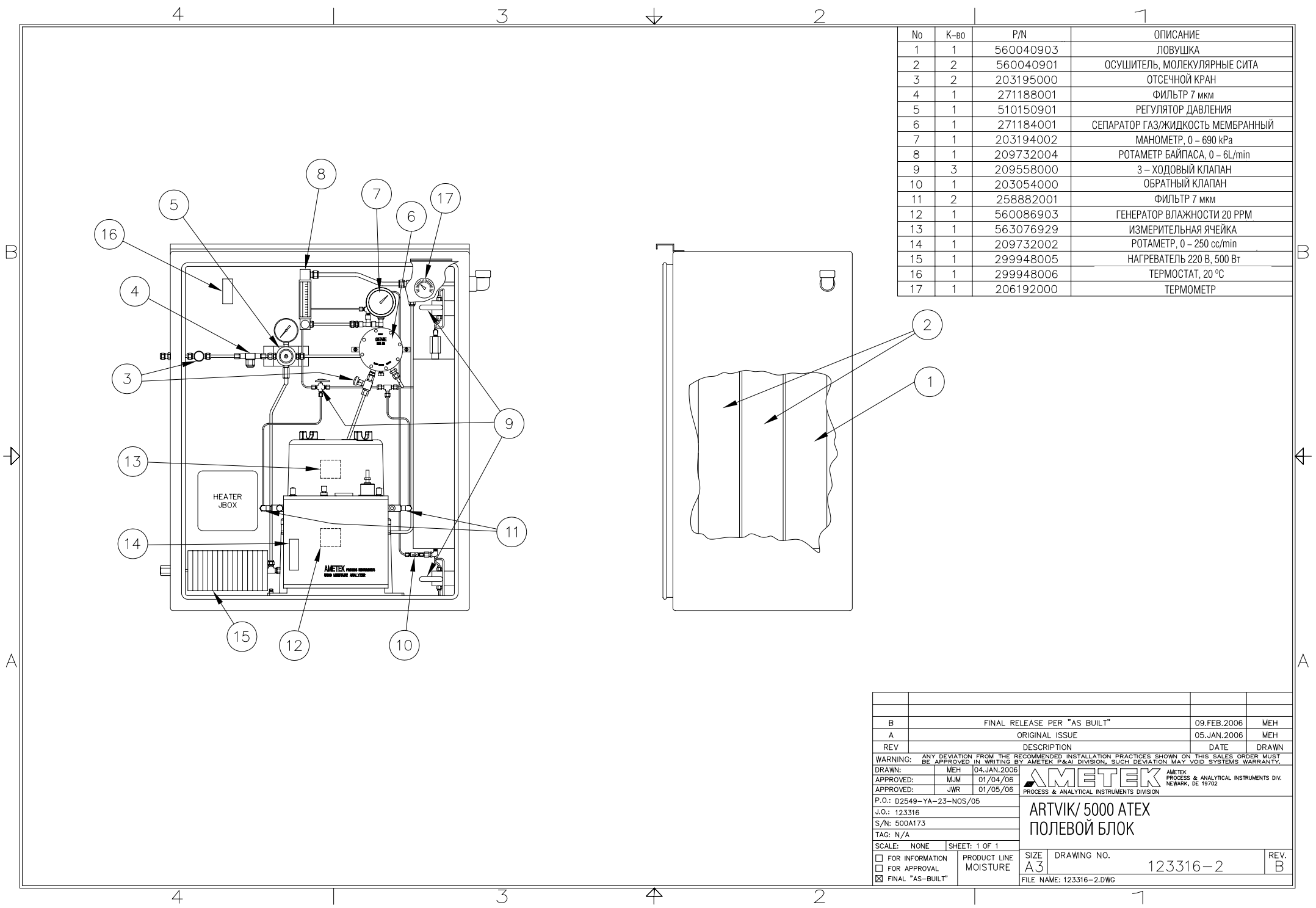
B	FINAL RELEASE PER "AS BUILT"		09.FEB.2006	MEH	
A	ORIGINAL ISSUE		05.JAN.2006	MEH	
REV	DESCRIPTION	DATE	DRAWN		
<small>WARNING: ANY DEVIATION FROM THE RECOMMENDED INSTALLATION PRACTICES SHOWN ON THIS SALES ORDER MUST BE APPROVED IN WRITING BY AMETEK R&AI DIVISION, SUCH DEVIATION MAY VOID SYSTEMS WARRANTY.</small>					
DRAWN:	MEH	04.JAN.2006	 <small>AMETEK PROCESS & ANALYTICAL INSTRUMENTS DIV. NEWARK, DE 19702</small>		
APPROVED:	MJM	01/04/06			
APPROVED:	JWR	01/05/06			
P.O.: D2549-YA-23-NOS/05					
J.O.: 123316					
S/N: 500A173					
TAG: N/A					
SCALE: NONE SHEET: 1 OF 1					
<input type="checkbox"/> FOR INFORMATION <input type="checkbox"/> FOR APPROVAL <input checked="" type="checkbox"/> FINAL "AS-BUILT"		PRODUCT LINE MOIST	SIZE A3	DRAWING NO. 123316-1	REV. B
FILE NAME: 123316-1.DWG					

4

3

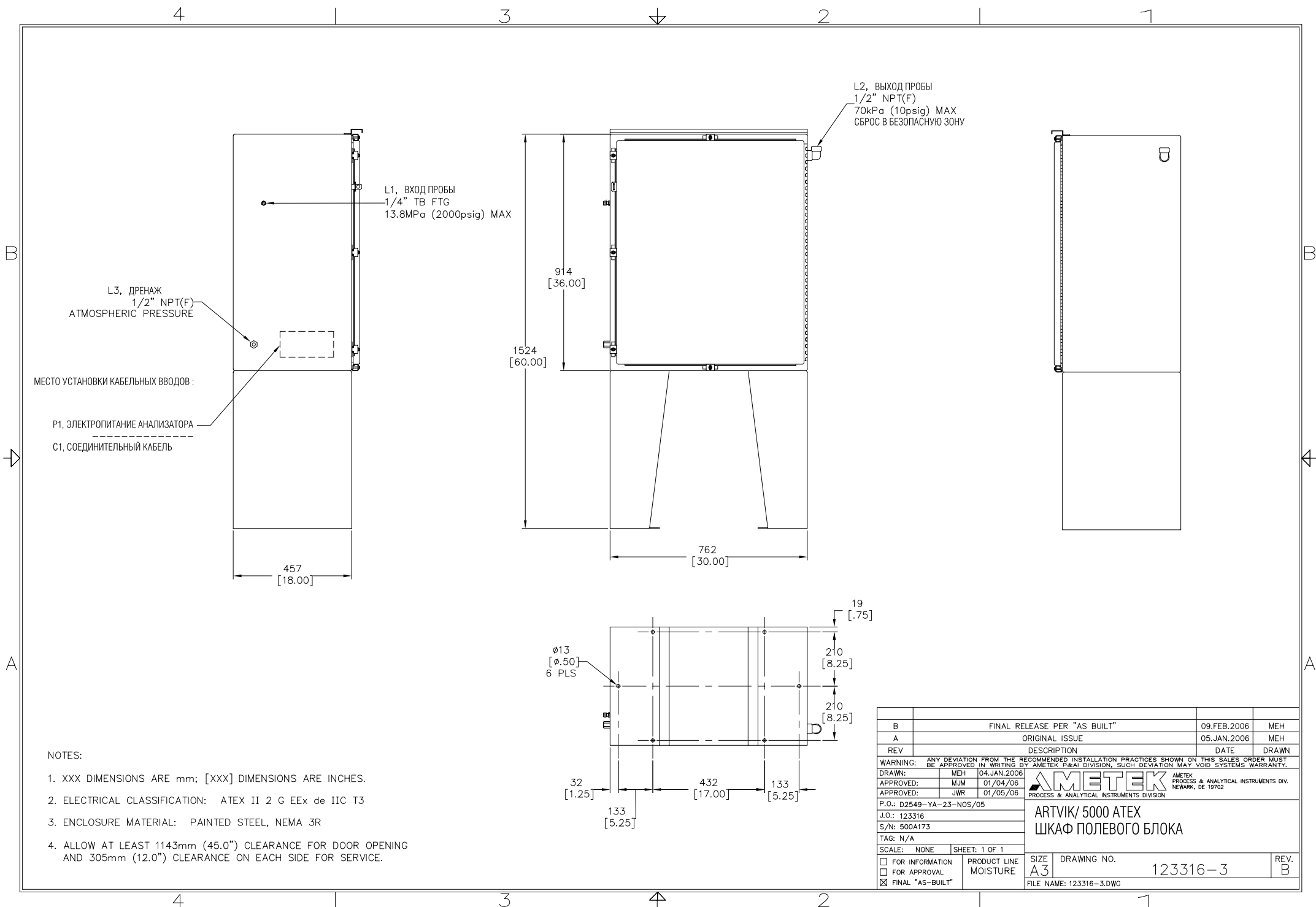
2

1



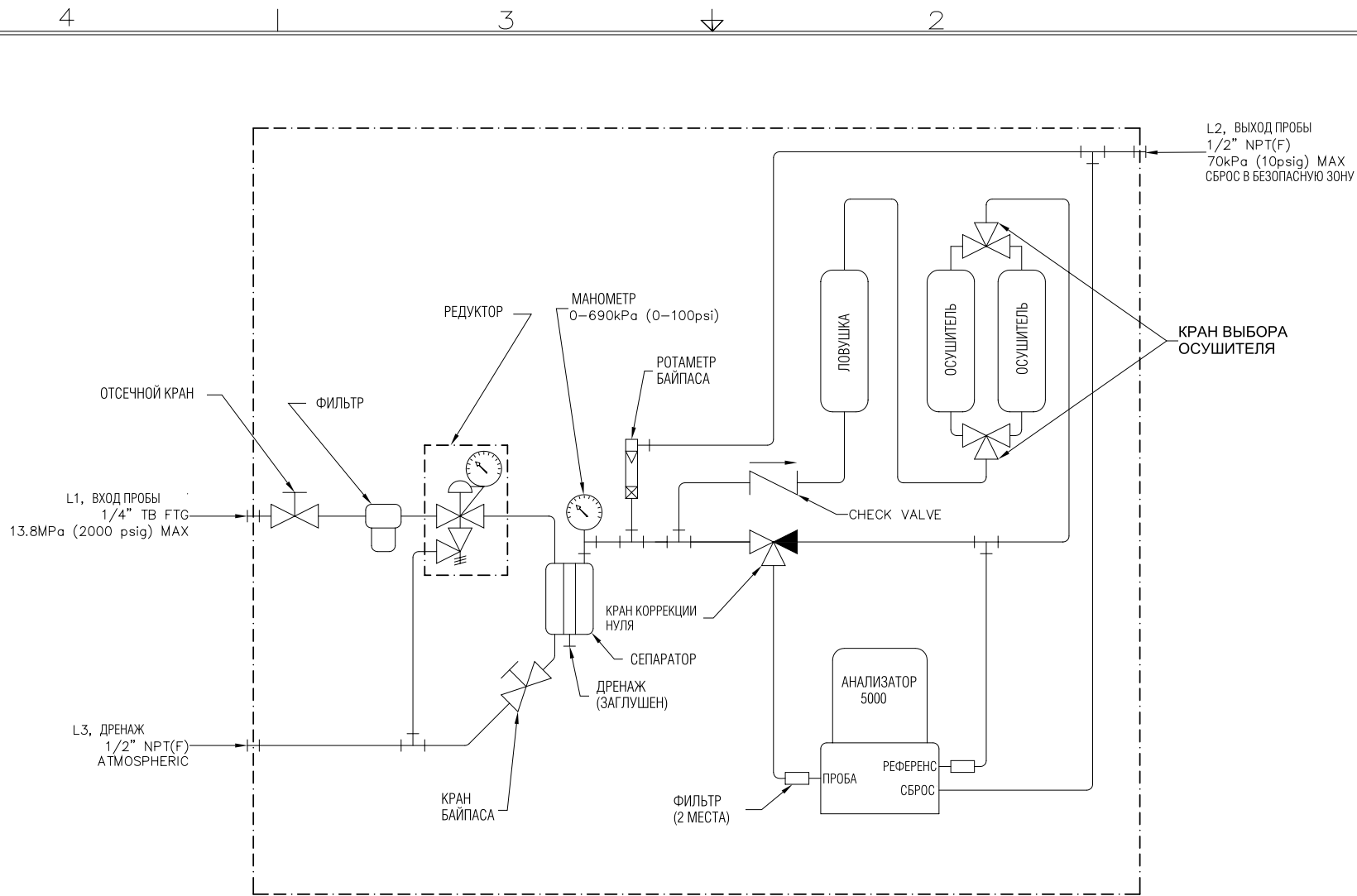
No	К-во	P/N	ОПИСАНИЕ
1	1	560040903	ЛОВУШКА
2	2	560040901	ОСУШИТЕЛЬ, МОЛЕКУЛЯРНЫЕ СИТА
3	2	203195000	ОТСЕЧНОЙ КРАН
4	1	271188001	ФИЛЬТР 7 мкм
5	1	510150901	РЕГУЛЯТОР ДАВЛЕНИЯ
6	1	271184001	СЕПАРАТОР ГАЗ/ЖИДКОСТЬ МЕМБРАННЫЙ
7	1	203194002	МАНОМЕТР, 0 - 690 kPa
8	1	209732004	РОТАМЕТР БАЙПАСА, 0 - 6L/min
9	3	209558000	3 - ХОДОВЫЙ КЛАПАН
10	1	203054000	ОБРАТНЫЙ КЛАПАН
11	2	258882001	ФИЛЬТР 7 мкм
12	1	560086903	ГЕНЕРАТОР ВЛАЖНОСТИ 20 PPM
13	1	563076929	ИЗМЕРИТЕЛЬНАЯ ЯЧЕЙКА
14	1	209732002	РОТАМЕТР, 0 - 250 cc/min
15	1	299948005	НАГРЕВАТЕЛЬ 220 В, 500 Вт
16	1	299948006	ТЕРМОСТАТ, 20 °С
17	1	206192000	ТЕРМОМЕТР


B		FINAL RELEASE PER "AS BUILT"		09.FEB.2006	MEH
A		ORIGINAL ISSUE		05.JAN.2006	MEH
REV	DESCRIPTION			DATE	DRAWN
<small>WARNING: ANY DEVIATION FROM THE RECOMMENDED INSTALLATION PRACTICES SHOWN ON THIS SALES ORDER MUST BE APPROVED IN WRITING BY AMETEK P&AI DIVISION, SUCH DEVIATION MAY VOID SYSTEMS WARRANTY.</small>					
DRAWN:	MEH	04.JAN.2006	 AMETEK PROCESS & ANALYTICAL INSTRUMENTS DIV. NEWARK, DE 19702		
APPROVED:	MJM	01/04/06			
APPROVED:	JWR	01/05/06			
P.O.: D2549-YA-23-NOS/05					
J.O.: 123316					
S/N: 500A173					
TAG: N/A					
SCALE: NONE SHEET: 1 OF 1					
<input type="checkbox"/> FOR INFORMATION <input type="checkbox"/> FOR APPROVAL <input checked="" type="checkbox"/> FINAL "AS-BUILT"		PRODUCT LINE MOISTURE	SIZE A3	DRAWING NO. 123316-2	REV. B
FILE NAME: 123316-2.DWG					

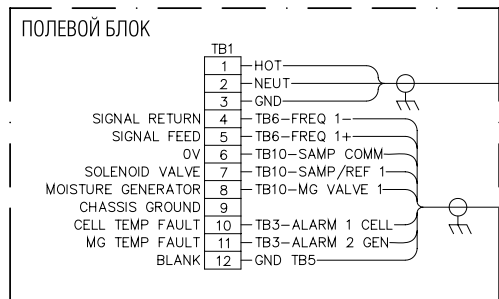


- NOTES:
- XXX DIMENSIONS ARE mm; [XXX] DIMENSIONS ARE INCHES.
 - ELECTRICAL CLASSIFICATION: ATEX II 2 G EEx de IIC T3
 - ENCLOSURE MATERIAL: PAINTED STEEL, NEMA 3R
 - ALLOW AT LEAST 1143mm (45.0") CLEARANCE FOR DOOR OPENING AND 305mm (12.0") CLEARANCE ON EACH SIDE FOR SERVICE.

B	FINAL RELEASE PER "AS BUILT"	09.FEB.2006	MEH
A	ORIGINAL ISSUE	05.JAN.2006	MEH
REV	DESCRIPTION	DATE	DRAWN
<small>WARNING: ANY DEVIATION FROM THE RECOMMENDED INSTALLATION PRACTICES SHOWN ON THIS SALES ORDER MUST BE APPROVED IN WRITING BY AMETEK R&A DIVISION, SUCH DEVIATION MAY VOID SYSTEMS WARRANTY.</small>			
DRAWN:	MEH 04.JAN.2006	 AMETEK PROCESS & ANALYTICAL INSTRUMENTS DIV. NEWARK, DE 19702	
APPROVED:	MJM 01/04/06		
APPROVED:	JWR 01/05/06		
P.O.: D2549-YA-23-NOS/05		ARTVIK/5000 ATEX	
J.O.: 123316		ШКАФ ПОЛЕВОГО БЛОКА	
S/N: 500A173			
TAG: N/A			
SCALE: NONE	SHEET: 1 OF 1		
<input type="checkbox"/> FOR INFORMATION <input type="checkbox"/> FOR APPROVAL <input checked="" type="checkbox"/> FINAL "AS-BUILT"	PRODUCT LINE MOISTURE	SIZE A3	DRAWING NO. 123316-3
		FILE NAME: 123316-3.DWG	REV. B



B		FINAL RELEASE PER "AS BUILT"		09.FEB.2006	MEH
A		ORIGINAL ISSUE		05.JAN.2006	MEH
REV	DESCRIPTION			DATE	DRAWN
<small>WARNING: ANY DEVIATION FROM THE RECOMMENDED INSTALLATION PRACTICES SHOWN ON THIS SALES ORDER MUST BE APPROVED IN WRITING BY AMETEK R&A DIVISION, SUCH DEVIATION MAY VOID SYSTEMS WARRANTY.</small>					
DRAWN:	MEH	04.JAN.2006	 AMETEK PROCESS & ANALYTICAL INSTRUMENTS DIV. NEWARK, DE 19702		
APPROVED:	MJM	01/04/06			
APPROVED:	JWR	01/05/06			
P.O.: D2549-YA-23-NOS/05					
J.O.: 123316					
S/N: 500A173					
TAG: N/A					
SCALE: NONE		SHEET: 1 OF 1			
<input type="checkbox"/> FOR INFORMATION <input type="checkbox"/> FOR APPROVAL <input checked="" type="checkbox"/> FINAL "AS-BUILT"		PRODUCT LINE MOISTURE		SIZE A3	DRAWING NO. 123316-4
				REV. B	FILE NAME: 123316-4.DWG



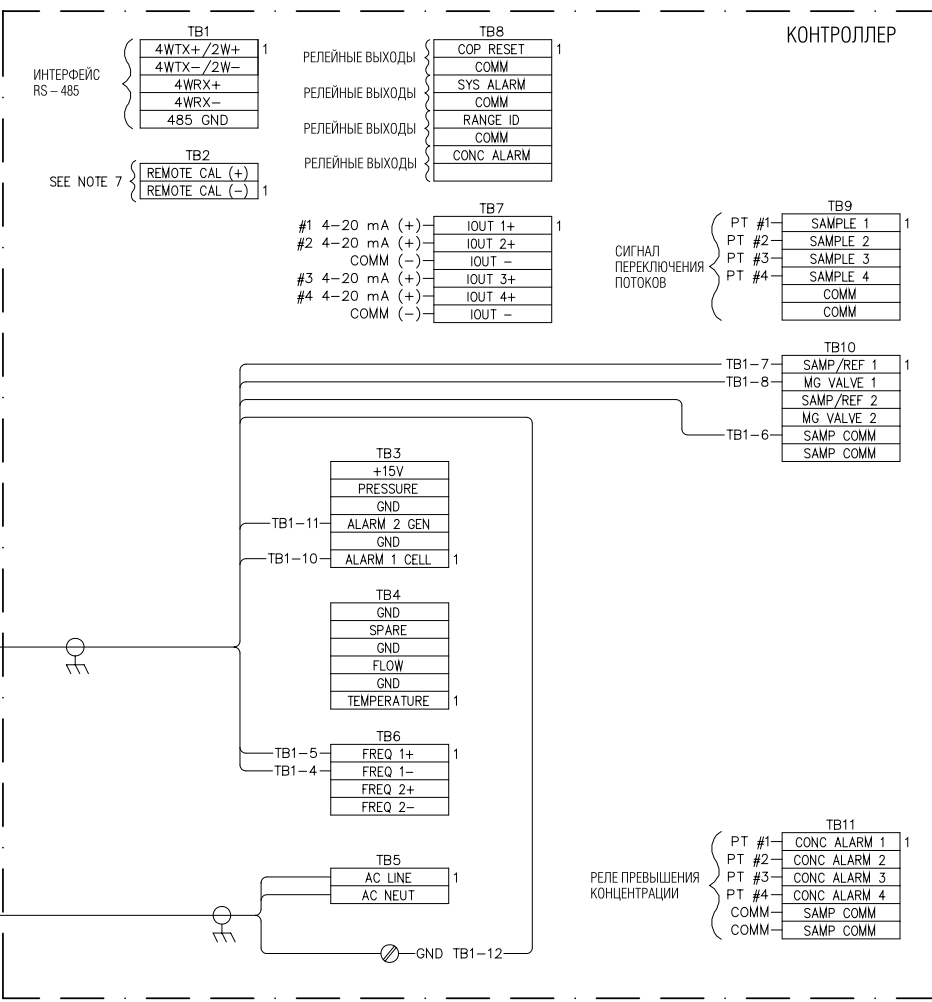
P1, ЭЛЕКТРОПИТАНИЕ ПОЛЕВОГО БЛОКА
220VAC, 50Hz, 175W MAX
3 WIRE, 2.0mm² (14AWG), SHIELDED
SEE NOTES 1-6



P3, 220VAC, 50Hz, 500W MAX,
ЭЛЕКТРОПИТАНИЕ
НАГРЕВАТЕЛЯ ЦИСКАФА
3 WIRE, 2.0mm² (14AWG)
SEE NOTE 1

C1, СОЕДИНИТЕЛЬНЫЙ КАБЕЛЬ,
4 ВИТЫЕ ПАРЫ
0.5mm² (22AWG), SHIELDED
SEE NOTES 3, 4 & 5

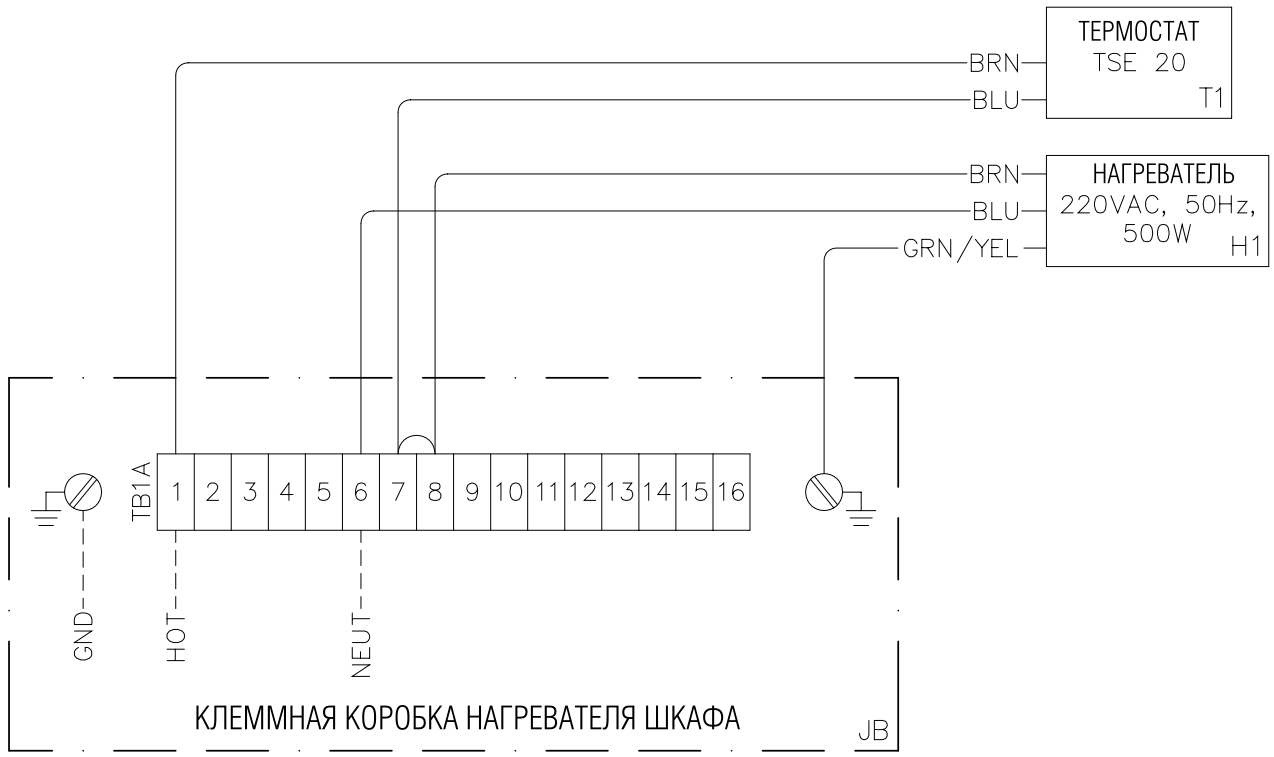
P2, 220VAC, 50Hz, 50W
ЭЛЕКТРОПИТАНИЕ
КОНТРОЛЛЕРА
3 WIRE, 2.0mm² (14AWG), SHIELDED
SEE NOTES 1, 2, 4, 5, 6 & 8



- NOTES:
- WARNING: BEFORE APPLYING POWER, TEST AND VERIFY CONNECTION OF "HOT, NEUTRAL & GROUND" WIRES TO CORRECT TERMINALS. POWER APPLIED TO INCORRECT TERMINALS MAY DAMAGE EQUIPMENT OR CREATE A SAFETY HAZARD.
 - THE MAXIMUM PERMITTED RESISTANCE FROM EARTH GROUND TO THE FIELD UNIT OR CONTROLLER IS 20 OHMS.
 - INTERCONNECTING CABLES ARE TO BE SUPPLIED AND INSTALLED BY CUSTOMER, UNLESS OTHERWISE SPECIFIED ON SALES ORDER.
 - POWER & SIGNAL WIRES SHOULD BE RUN IN SEPARATE CABLES.
 - 100% FOIL (ARMOR MAY BE SUBSTITUTED) IS REQUIRED.
 - GROUND CABLE SHIELDS AT BOTH ENDS TO GROUND STUDS OR GROUNDING RINGS (AS SHOWN ON DRAWING 520304000). KEEP SHIELD WIRE LENGTH LESS THAN 2" LONG.
 - CONNECTIONS ARE FOR OPTIONAL REMOTE CALIBRATION INITIATION SWITCH ENCLOSURE.
 - CONTROLLER POWER REQUIREMENTS DO NOT INCLUDE THE POWER DEMAND OF ANY DEVICES CONNECTED TO TB9.

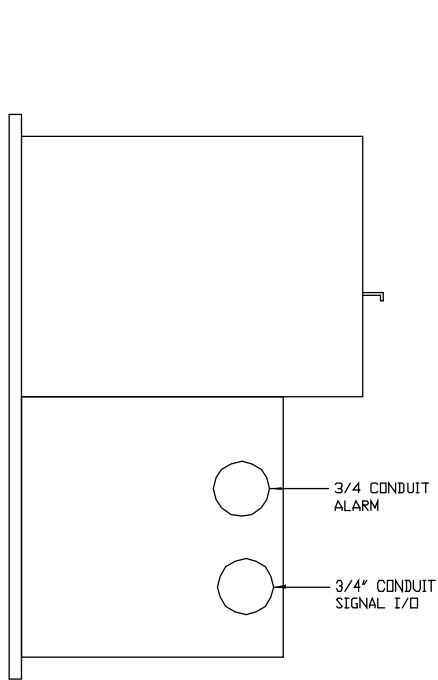
B		FINAL RELEASE PER "AS BUILT"		09.FEB.2006	MEH
A		ORIGINAL ISSUE		05.JAN.2006	MEH
REV	DESCRIPTION	DATE	DRAWN		
WARNING: ANY DEVIATION FROM THE RECOMMENDED INSTALLATION PRACTICES SHOWN ON THIS SALES ORDER MUST BE APPROVED IN WRITING BY AMETEK P&AI DIVISION, SUCH DEVIATION MAY VOID SYSTEMS WARRANTY.					
DRAWN:	MEH	04.JAN.2006	AMETEK PROCESS & ANALYTICAL INSTRUMENTS DIV. NEWARK, DE 19702		
APPROVED:	MJM	01/04/05			
APPROVED:	JWR	01/05/06			
P.O.: D2549-YA-23-NOS/05					
J.O.: 123316					
S/N: 500A173					
TAG: N/A					
SCALE: NONE SHEET: 1 OF 1					
<input type="checkbox"/> FOR INFORMATION <input type="checkbox"/> FOR APPROVAL <input checked="" type="checkbox"/> FINAL "AS-BUILT"		PRODUCT LINE MOISTURE	SIZE A3	DRAWING NO. 123316-5	REV. B
FILE NAME: 123316-5.DWG					

ITEM	QTY	AMETEK PART #	DESCRIPTION
H1	1	299948005	220V ATEX HEATER, 500W
JB	1	280380001	ATEX HEATER JUNCTION BOX
T1	1	299948006	ATEX THERMOSTAT, 20°C SET POINT

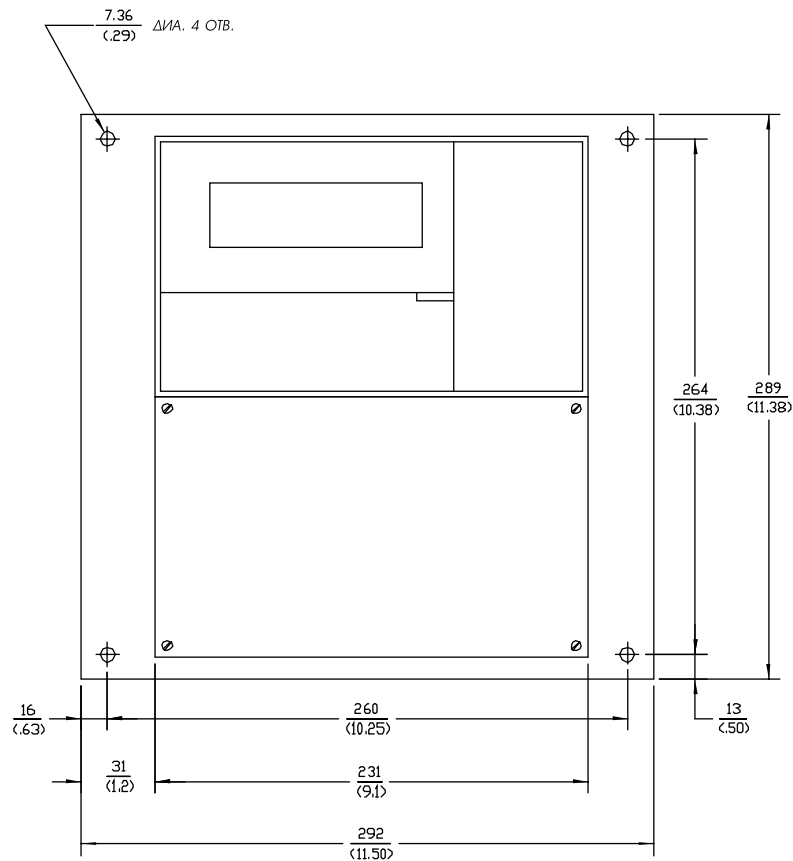


B	FINAL RELEASE PER "AS BUILT"	09.FEB.2006	MEH
A	ORIGINAL ISSUE	05.JAN.2006	MEH
REV	DESCRIPTION	DATE	DRAWN
<small>WARNING: ANY DEVIATION FROM THE RECOMMENDED INSTALLATION PRACTICES SHOWN ON THIS SALES ORDER MUST BE APPROVED IN WRITING BY AMETEK P&AI DIVISION, SUCH DEVIATION MAY VOID SYSTEMS WARRANTY.</small>			
DRAWN:	MEH	04.JAN.2006	
APPROVED:	MJM	01/04/06	
APPROVED:	JWR	01/05/06	
P.O.: D2549-YA-23-NOS/05		ARTVIK/ 5000 ATEX	
J.O.: 123316		СХЕМА ВНУТРЕННИХ ПОДКЛЮЧЕНИЙ	
S/N: 500A173			
TAG: N/A			
SCALE: NONE	SHEET: 1 OF 1	SIZE A3	DRAWING NO. 123316-6
<input type="checkbox"/> FOR INFORMATION	PRODUCT LINE MOISTURE	FILE NAME: 123316-6.DWG	REV. B
<input type="checkbox"/> FOR APPROVAL			
<input checked="" type="checkbox"/> FINAL "AS-BUILT"			

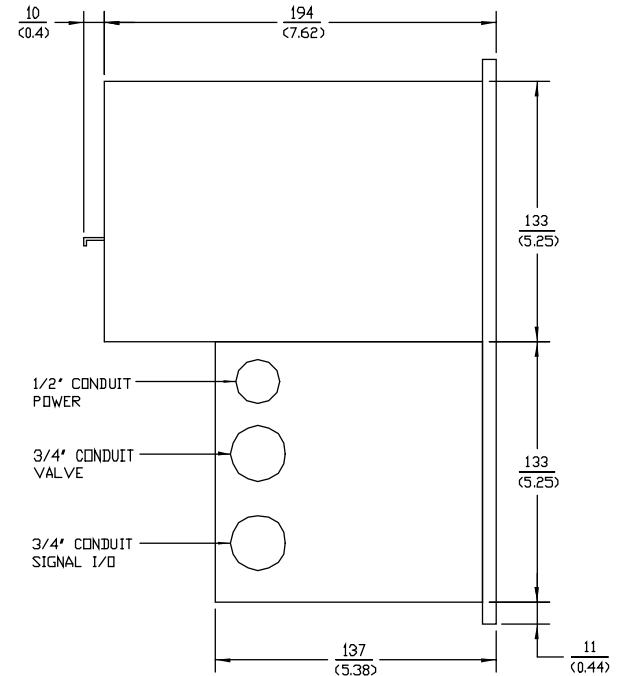
REV	DATE	CHECKED	DRAWING SHEET NO.
A	01/18/93	JT	---
B	02/10/94	TP	1
C	05/07/97	TP	1
D	3/19/01	TAM	1
E	12/19/01	RPH	1



ВИД СЛЕВА



ВИД СПЕРЕДИ



ВИД СПРАВА

NOTES:

1. CONTROLLER ELECTRICAL CLASSIFICATION: CLASS I, DIV 2, GRPS A, B, C & D
2. XXX DIMENSIONS ARE IN MILLIMETERS, (XXX) DIMENSIONS ARE IN INCHES.

WARNING
 ANY DEVIATION FROM THE RECOMMENDED INSTALLATION PRACTICES SHOWN ON THIS SALES ORDER MUST BE APPROVED IN WRITING, BY AMETEK P & AI DIVISION. SUCH DEVIATION MAY VOID SYSTEMS WARRANTY.

SIGNATURES	DATE
DRAWN JEFF THAWLEY	01/18/93
REVIEW TONY PORTALE	01/19/93
MRKTG CHRIS A. NITZ	01/22/93
ENGRG J.A. BRIENING	01/19/93

AMETEK PROCESS INSTRUMENTS DIVISION
 Newark, Delaware 19702

TITLE
 CD, INSTALLATION, DIMENSIONAL LAYOUT, SURFACE MOUNT CONTROLLER

SIZE C	DWG NO. 420302000	REV. E
SCALE: NONE	SHEET 1 OF 1	ME NO. 420302000.dwg